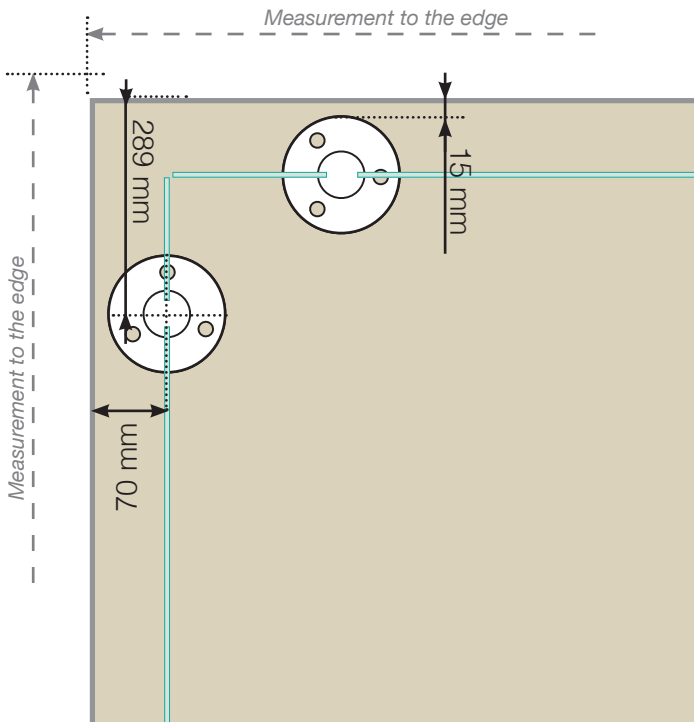


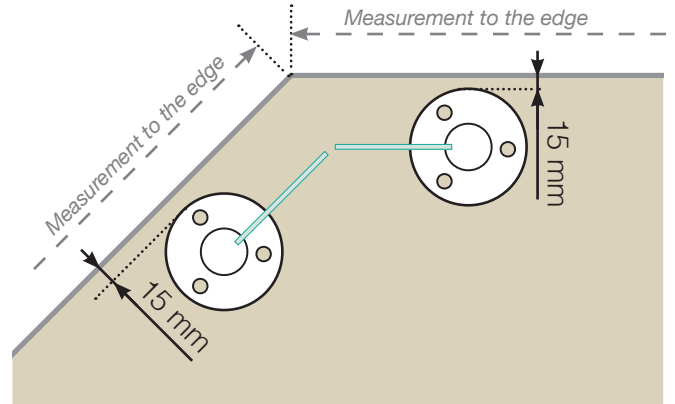
# MEASUREMENT DIAGRAM

## PLACEMENT - ALUMINIUM POSTS WITH FOOT

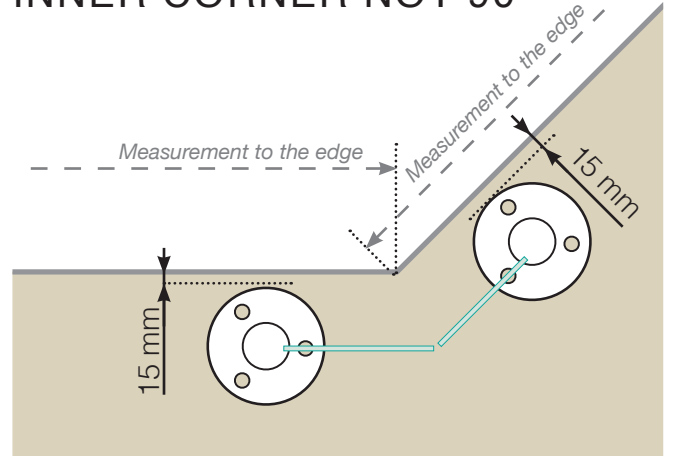
### OUTER CORNER



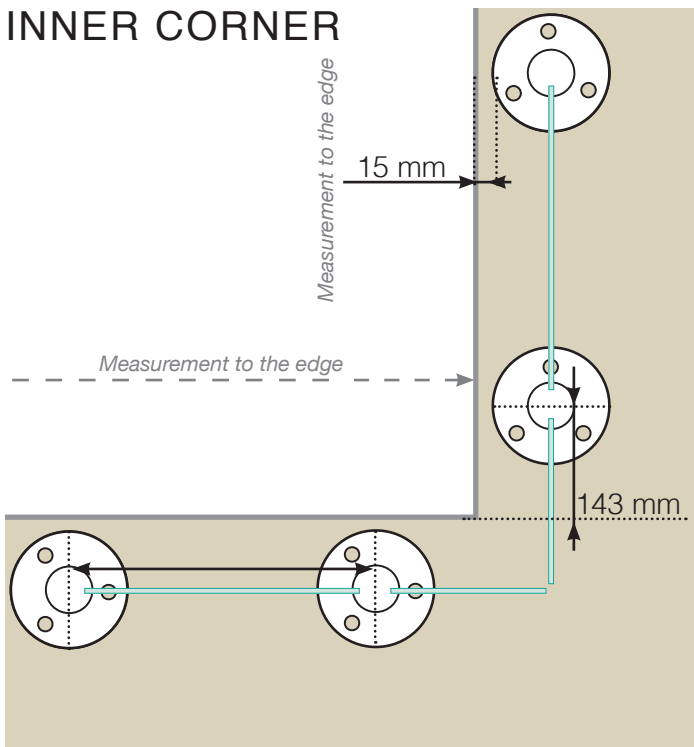
### OUTER CORNER NOT 90°



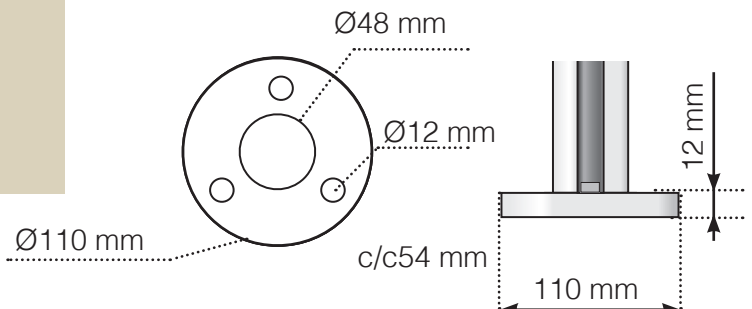
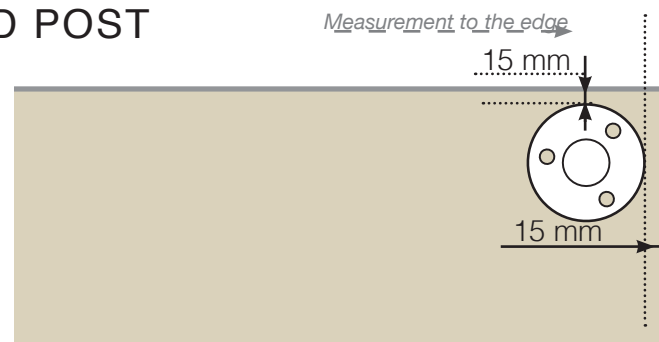
### INNER CORNER NOT 90°



### INNER CORNER



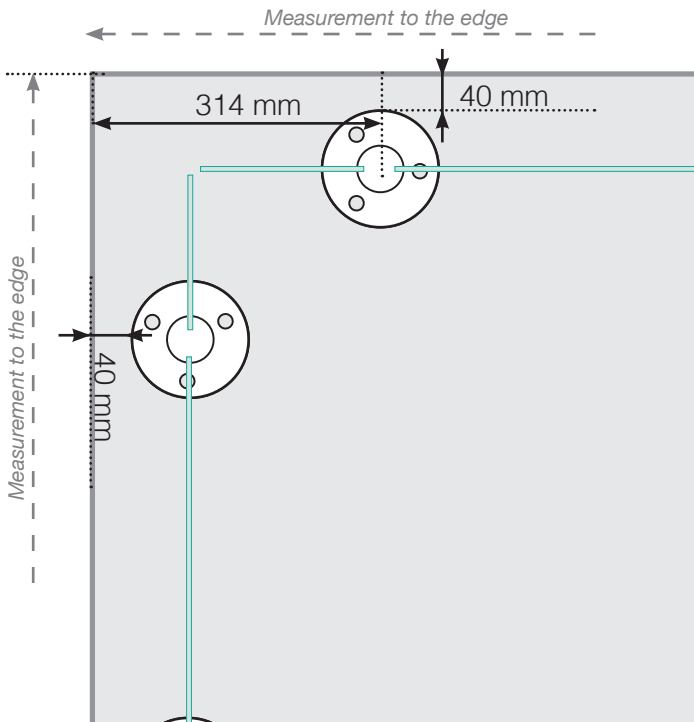
### END POST



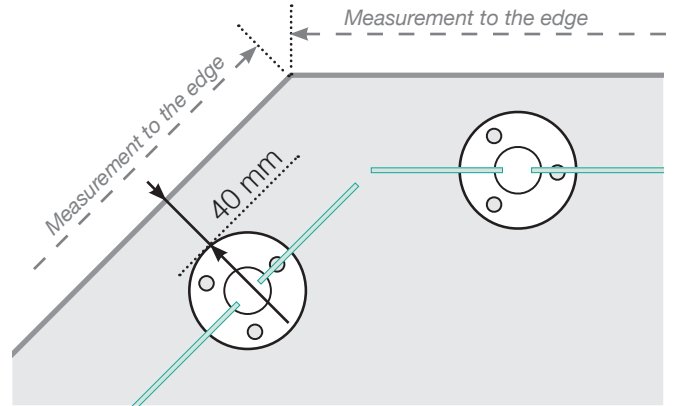
# MEASUREMENT DIAGRAM

PLACEMENT - ALUMINIUM POSTS WITH FOOT  
MOUNTING ON THE CONCRETE SUBSTRATE

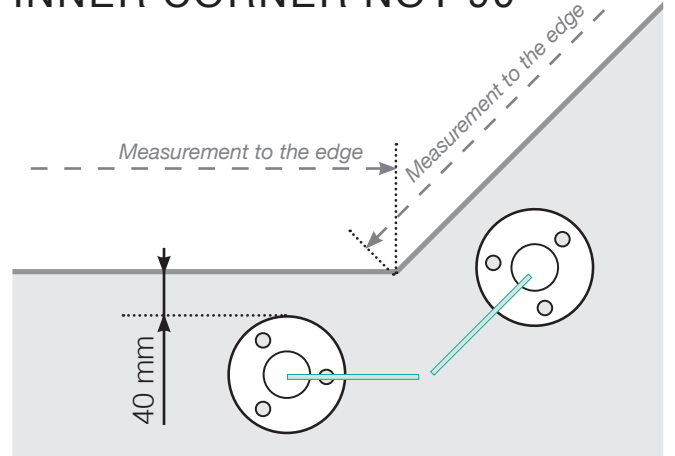
## OUTER CORNER



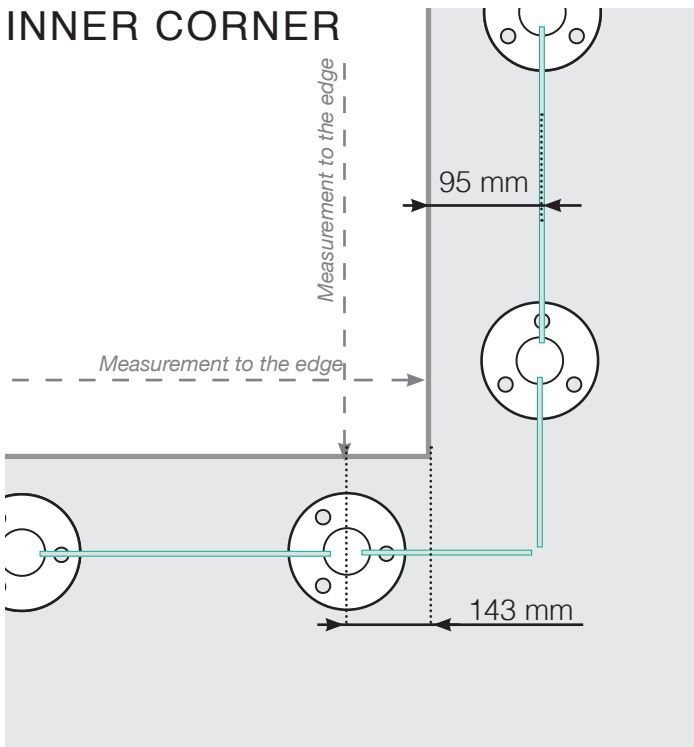
## OUTER CORNER NOT 90°



## INNER CORNER NOT 90°



## INNER CORNER



## END POST

